

User manual of Daxys eBike Multifunction Tool

Please ready this manual before using the tool and store it carefully.

FEATURE



1. 92.5 mm long handle design is comfortable to use.



2. Magnetic connector is easy to take out and put back in.



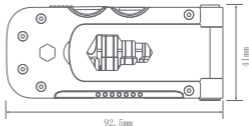
3. Compact size tool comes with a velvety bag for storage and portability.

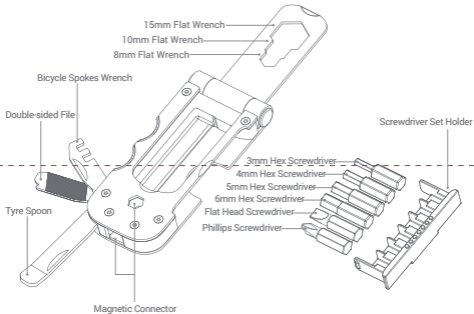
PRODUCT PARAMETER

Close size 92.5×41×13.2mm

Main material 20Cr13

Weight 160g±5g



STRUCTURE**WARRANTY**

1. Free warranty for one year. You can enjoy maintenance services for free for one year from the date of purchase of your Daxys Multitool.
2. We will provide paid maintenance services when your Daxys multitool exceeds warranty or if it is damaged due to improper use or unauthorised modifications or repair.