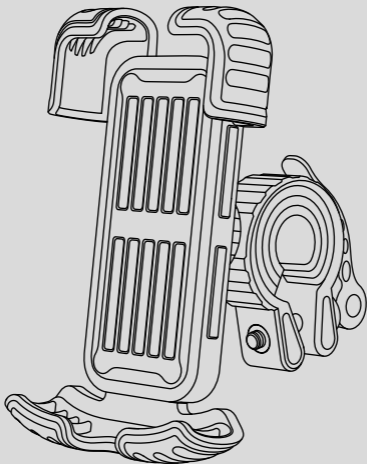
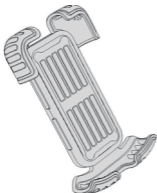


Daxys Phone Holder



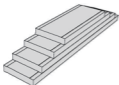
Packing list



Phone Holder ×1



Fixed Clamp ×1



Silicon Pad ×4



User Manual X 1

How to use:

1. Unscrew the nut and press the joint ball into the socket of the phone holder through the nut and then tighten the nut.



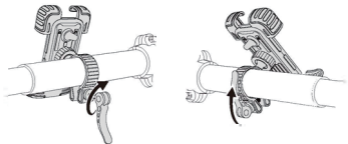
2. Loosen the fixed clamp and mount it on the handlebar.



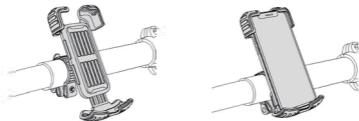
Note

please add or remove the silicone pads and cut the unnecessary part according to the diameter of the handlebar.

3. Tighten the screw and press the lever towards the fixed clamp to lock



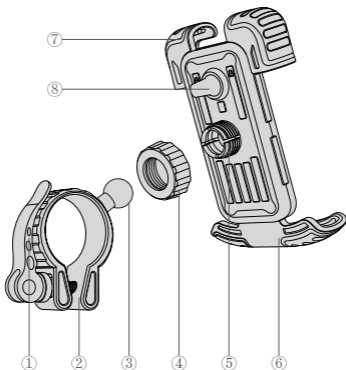
4. Make sure the red switch on the back is on the “unlock” side and push the lower arm of the phone holder by your phone and place your phone in it.



5. Turn the black switch on the back to “lock” .



Part name



- ① Lock lever
- ② Fixed Clamp
- ③ Joint Ball
- ④ Nut
- ⑤ Socket
- ⑥ Lower Arm
- ⑦ Upper Arm
- ⑧ Red Switch